



RFX15022 & RFX15023 6000lb

Pre-installation Check-List

- A. Correct Size Winch For Load?
- B. Adequate Power/Amp Supply
- C. Special Requirements
- D. Clacking The Gear Box
- E. Specifications and Warranty



Models(RFX15022 & RFX15023 - 6,000lb)

Pre-installation check-list

A CORRECT SIZE WINCH FOR LOAD

2 times rating: winches are rated at their maximum capabilities pulling a static level load. These ratings do not account for unique or more difficult situations like steep angle pulls or pulling out of mud etc. Having a winch rated 2 times your vehicle weight (loaded) is being prepared for the more difficult situations.

If you use a winch that is less than 2 times rating we strongly recommend you carry and use a snatch block to double the line.

B ADEQUATE POWER/AMP SUPPLY

Re: Adequate Power: Your winch has an electric motor that has high amp draw requirements under load. We recommend:

Minimum 650 CCA battery

Direct connections to the battery

The battery used for winching is being directly re-charged by the vehicle alternator/charging system.

C SPECIAL REQUIREMENTS

D CLOCKING THE GEAR BOX

This is a good solution when the original shifter position is difficult to access or interferes with available space during installation. Clocking the gear box rotates the shifter to a new position. The gear box attaches to the frame using 10 bolts so the gear box can be rotated to 10 different positions (original position or 9 other possible positions). The winch will need to be disassembled, clocked and reassembled by an approved Bulldog Winch service center. Please contact Bulldog Winch for the Service Bulletin for Clocking the Gear Box.



Models(RFX15022 & RFX15023 - 6,000lb)

Installation Instructions

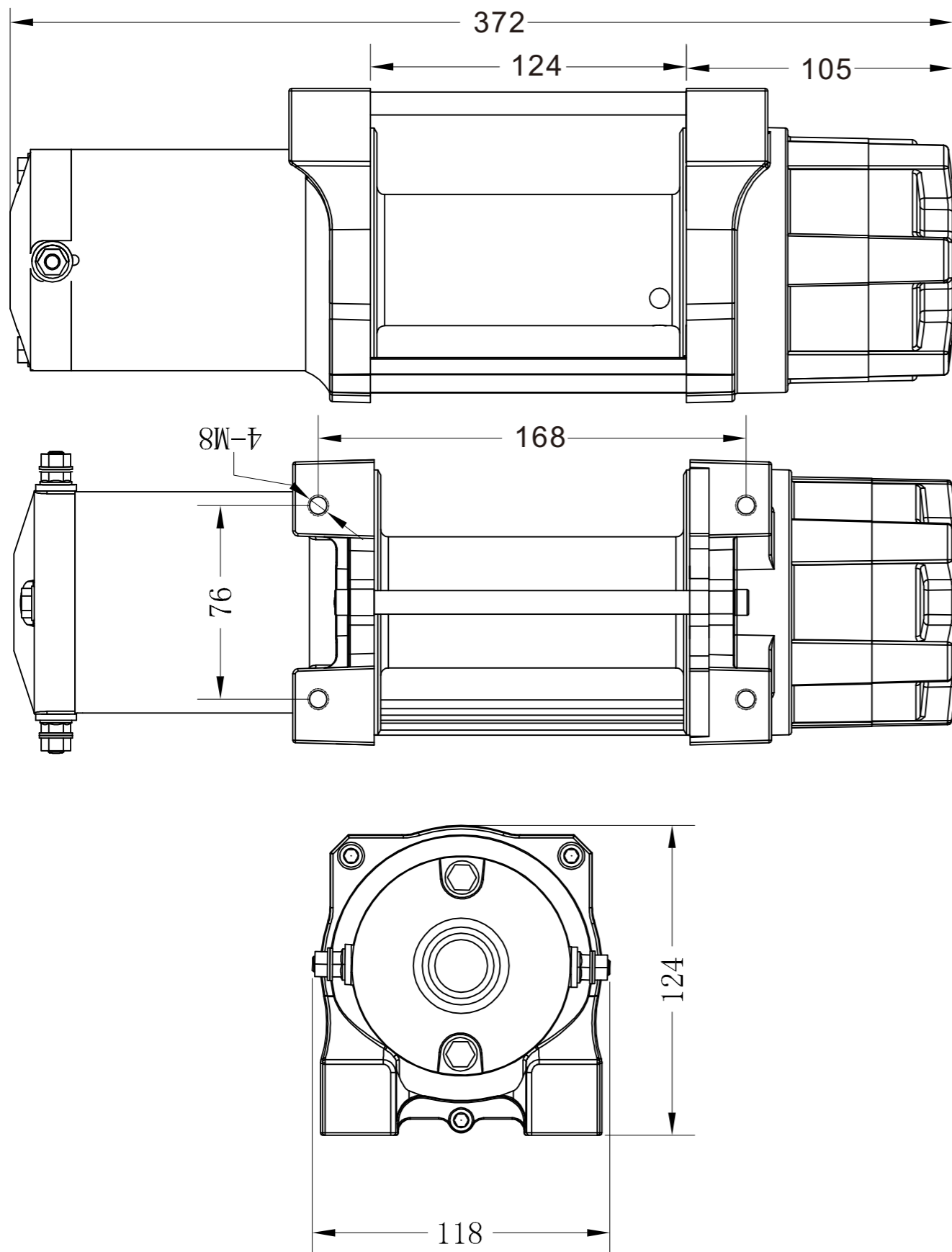
Safe installation and operation of this winch is your responsibility. Careless operation can result in serious injury or property damage.

6,000lb
(Model#RFX15022 &RFX15023)

CAUTION

Safe installation and operation of this winch is your responsibility. Use caution at all times.

A.



.3.

WINCH INSTALLATION

⚠ WARNING

Improper mounting can cause personal injury. It can also damage your winch and void the warranty.

⚠ CAUTION

A 60 AMP alternator and battery with 650 cold-cranking amperes capacity are the minimum recommended power sources.

⚠ CAUTION

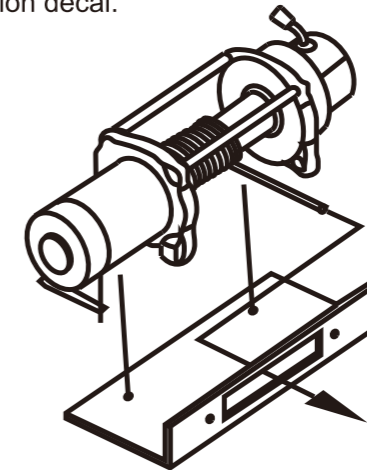
The winch electrical system should always be isolated when the winch is not in use.

Mounting Your Winch

The winch in this manual is exclusively designed to be mounted on a trailer for non-industrial applications. Any other applications will void the warranty.

Choose a location to mount the winch strong enough to withstand the loads you intend to winch.

The diagram below shows proper orientation for safe winching. The wire rope must always spool onto the drum as shown on the drum rotation decal.



1. This kit includes the mounting plate. You must choose a strong mounting deck for this assembly on your trailer.
2. Mount fairlead & rope tensioner plate to mounting plate.
3. Place this assembly in the desired location, mark & drill 4 holes on the outer corners
4. Mounting winch to plate using 4 taper head/countersunk bolts.
5. Using the hardware provided, mount the power unit bracket to the end of mounting plate.
6. Mount plate to deck (hardware not supplied)

4.

B.

BATTERY RECOMMENDATIONS

Careful planning will make the wiring installation easier. The kit includes universal length wiring so take some time to find the ideal mounting location for the contactor and make sure:

- the Contactor will be mounted high and dry and out of the elements
- the Contactor mounting location will work with 2.95ft of wire supplied to connect to the battery
- the Contactor mounting location will work with 5.9ft of wire supplied to connect to the winch
- the contactor mounting location will work with 9.8ft of wire supplied to connect remote mount plug

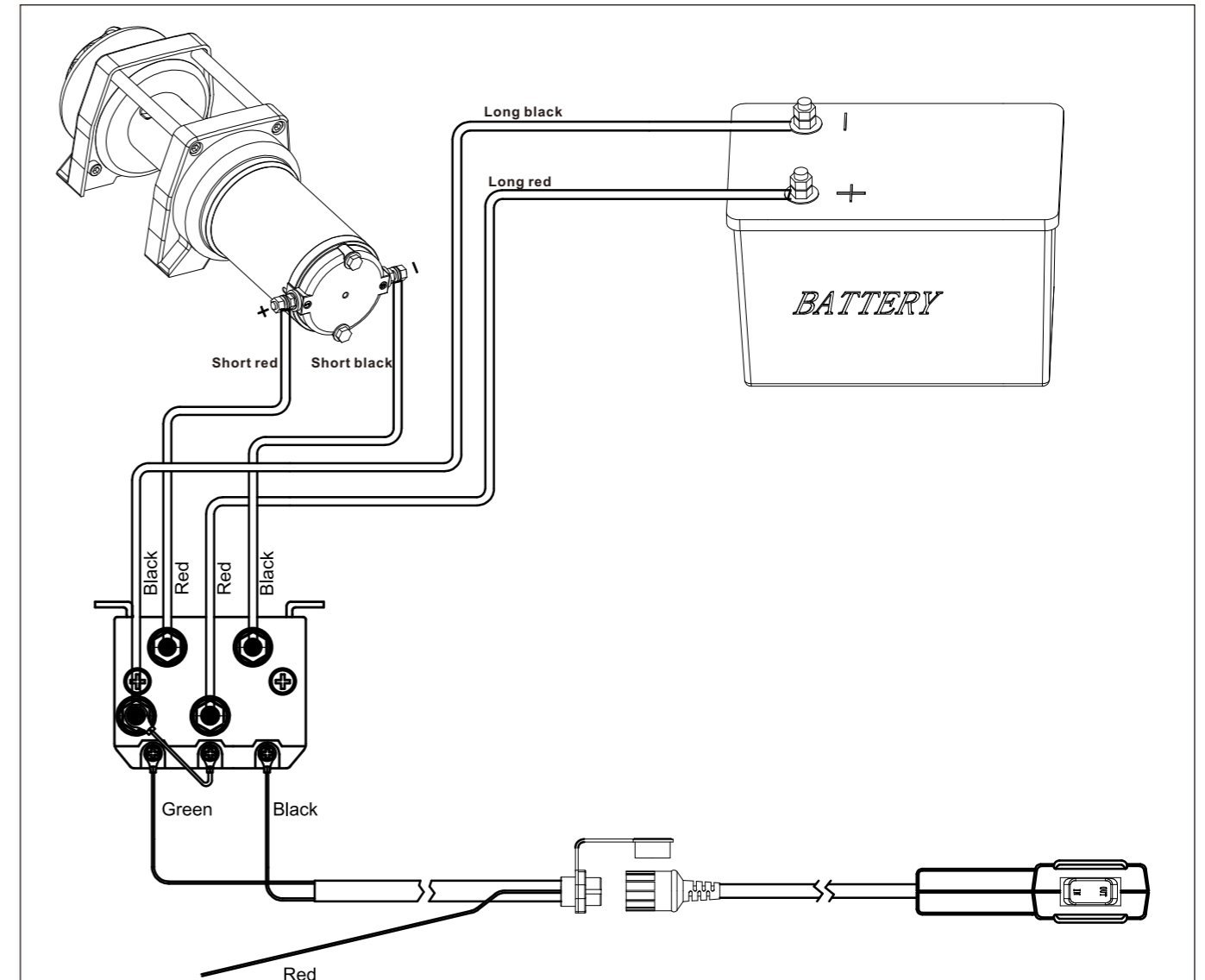
- Identify the best location for mounting the remote plug (within 9.8ft of contactor) and drill a 7/8 " hole for the center portion of the plug. Insert the plug, mark the screw hole locations and drill 5/32 " holes for the mounting screws. Install the remote plug using the hardware supplied and run the wires to the contactor.
- Mount the Contactor to a solid frame or sub-frame part using the hardware supplied.

⚠ WARNING

The wiring should not come in contact with or interfere with any moving parts or sharp edges. ie engine,suspension,brake,exhaust,steering.

- Run and connect the wires from the winch to the contactor. Make sure to add the protective boots over the wires and terminals.
- Connect the wires from the remote plug to the contactor.
- Connect the red wire from the remote plug to an ignition switch wire that is powered in the " ON " position and not powered in the " OFF " position.
- Run the wires from the battery to the contactor.
- Connect all the wires to the contactor using the diagram supplied. Make sure to add the protective boots over the wires and terminals.
- Connect the black (-) negative wire and red (+) wire along with the vehicle positive and negative leads to the battery.
- Turn the clutch knob to freespool and pull a few feet of wire rope out. Turn the clutch knob to engaged. Connect the hand held switch to the remote plug. Test the connections and winch operation by pressing the " IN " button. If the winch operates normally and the wire rope spools in proceed to step 9. If not, recheck the wiring connections and repeat the test until working correctly.
- Secure wires to frame using cable ties and avoid any moving parts, hot objects, or sharp edges.
- For normal self-recovery work your existing electrical system should be adequate. A fully charged battery and proper connections are essential. It is important to run the ATV engine during the winching operation to keep the battery charged.

WINCH WIRE CONNCTIONS



⚠ WARNING

DO NOT OVERTIGHTEN

Overtightening May Damage The Internal Connections In Motor & Will Not Be Covered By Warranty.



Models(RFX15022 & RFX15023 - 6,000lb)

6,000 lb. (Model #RFX15022 &RFX15023)

Rated Line Pull:	6,000 lbs. (2722 kgs)
Motor:	12V DC 1.9hp Permanent Magnet
Control:	Remote hand held with 20'(6.1m) lead
Gear Train:	High Efficiency 3-Stage Planetary Gear Set
Gear Ratio:	226:1
Clutch:	Freespooling
Brake:	Mechanical Automatic
Drum Dia. X L:	2"x 4.7"(51mm x 119mm)
Battery Leads:	6 Gauge x 5.8' (1.76m)
Overall Dimensions (LxWxH):	14.6"x 4.6"x 4.9" (372 x 118 x 124mm)
Mounting Bolt Pattern:	6.6"x 3.0" (168 x 76mm)

PART# RFX15022

Wire Rope Dia. x L:	1/4" x 55' (6.4mm x 16.8m)
Net Weight:	41lbs.(18.6kgs)

PART# RFX15023

Rope Dia. x L:	6mm X 50'
Net Weight:	24.8lbs.(11.3kgs)

PULL, SPEED, AMPS

Line Pull lbs. (kgs)	Line Speed ft/min (m/min)	Current A
0	18.5(5.5)	29
1000(454)	15(4.6)	59
3000(1361)	10(3.1)	116
4000(1814)	8(2.4)	155
5000(2268)	5(1.5)	211
6000(2722)	3.5(1.1)	277

LINE PULL AND ROPE CAPACITY IN LAYER

Layer	Rated Line Pull lbs. (kgs)	Total Rope on Drum ft. /m
1	6000(2722)	11.15(3.4)
2	4878(2217)	22.47(6.85)
3	4279(1945)	36.64(11.17)
4	3396(1543)	55.1(16.8)



Models(RFX15022 & RFX15023 - 6,000lb)

**RFX SELF-RECOVERY WINCH
Limited One (1) Year Warranty**

RFX Truck Accessories Co., LLC warrants to the original purchaser that the mechanical and electrical components will be free of defects in material and workmanship for a period of one (1) year from the original date of purchase. This Warranty only applies to the original purchaser of the winch. To obtain warranty service you must provide RFX with proof of purchase such as a copy of your purchase receipt with a date of purchase acceptable to RFX. This warranty does not cover removal or reinstallation of the winch. RFX will, at its option, repair, replace, or refund the purchase price of a defective winch or component, provided you return the defective winch or component during the warranty period, transportation charges prepaid, to RFX Service Department or a Factory Authorized Service Center. Attach your name, address, telephone number, a description of the problem, and a copy of your receipt showing the RFX part # or serial # and the date of purchase.

This warranty does not apply 1) to finish 2) to wire rope 3) if the winch has been damaged by abuse, accident, misuse, overloading, collision, modification, misapplication, improper installation, or improper service 4) if used in commercial or industrial applications 5) if used as a hoist.

This warranty is void if any RFX serial number has been removed, defaced, or altered.

THE WARRANTY SET FORTH ABOVE IS THE ONLY WARRANTY. THERE ARE NO OTHER WARRANTIES, EXPRESS OR IMPLIED, INCLUDING BUT NOT LIMITED TO IMPLIED WARRANTIES OF MERCHANTABILITY OR FITNESS FOR A PARTICULAR PURPOSE.

ANY IMPLIED WARRANTY WHICH BY LAW MAY NOT BE EXCLUDED IS LIMITED IN DURATION TO ONE (1) YEAR FROM THE DATE OF ORIGINAL RETAIL PURCHASE OF THE PRODUCT.

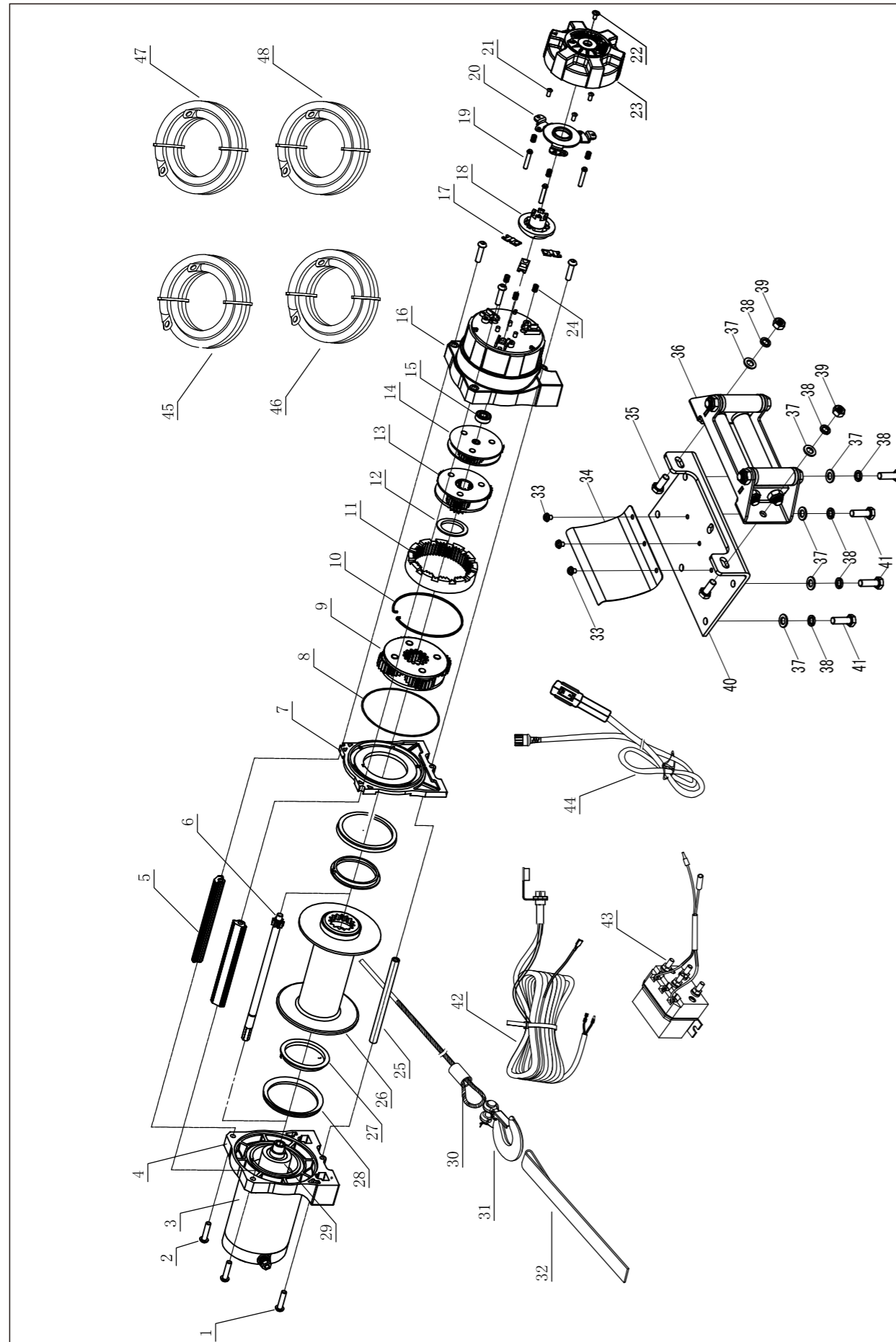
No RFX dealer, agent, or employee is authorized to make any modification, extension, or addition to this warranty. RFX SHALL NOT BE LIABLE FOR SPECIAL, INDIRECT, INCIDENTAL, OR CONSEQUENTIAL DAMAGES (INCLUDING, BUT NOT LIMITED TO, LOST PROFITS, DOWN TIME OR LOSS OF USE) UNDER ANY LEGAL THEORY, EVEN IF RFX WAS ADVISED OF THE POSSIBILITY OF SUCH DAMAGES.

Some states do not allow the exclusion of implied warranties or the exclusion or limitation of liability for incidental or consequential damages, or limitations on how long an implied warranty lasts, so the above limitation or exclusion may not apply to you. This warranty gives you specific legal rights. You may also have other rights that vary from state to state.

RFX reserves the right to change product design without notice. In situations which RFX has changed a product design, RFX shall have no obligation to upgrade or otherwise modify previously manufactured products.

Warranty inquiries and products returned for warranty service should be sent to:

RFX Truck Accessories
Div. of RTA Holdings Ltd
12029 - 75 Street NW
Edmonton, Alberta T5B-0X3
Email: info@rfx-truckaccessories.ca
Website: rfx-truckaccessories.ca
Made In China



PARTS LIST

No.	Description	QTY
1	Hexagon screw M6x25	2
2	Hexagon screw M6x20	4
3	Motor assy	1
4	Motor support	1
5	Tie bar	2
6	Drive shaft	1
7	Drum support plate	1
8	Seal ring	1
9	Retaining ring	1
10	Stage-3 of plant wheel	1
11	Cluth gear	1
12	Washer	1
13	Stage-2 of plant wheel	1
14	Stage-1 of plant wheel	1
15	Bearing	1
16	Gear box	1
17	Clutch block	3
18	Clutch base	1
19	Clutch pin	3
20	Clutch plate	1
21	Pen head screws M4x10	3
22	Self-tapping screw M4x8	1
23	Knob	1
24	Clutch pin spring	6
25	Tie bar D9x124	1
26	Drum	1
27	Sliding bearing	2
28	Seal ring	2
29	Brake assy	1
30	Wire rope	1
31	Hook 1/4	1
32	Strap	1
33	Cushioned screw M5x8	3
34	Tensioner	1
35	Hex washer M8x20	2
36	Fairlead	1
37	Flat washer	6
38	Spring wahser	6
39	Nut	2
40	Mounting plate	1
41	Hex screw M8x25	4
42	Connecting wire	1
43	Contactor	1
44	Handle switch	1
45	Power cable(black)	1
46	Power cable(black)	1
47	Power cable(red)	1
48	Power cable(red)	1